

GENERAL NOTES:

- ALL FASTENERS SHALL BE IN ACCORDANCE WITH THESE DRAWINGS. SPECIFIED ANCHOR EMBED TO BASE MATERIAL SHALL BE BEYOND WALL FINISH OR STUCCO.
- OPENINGS, BUCKING & BUCKING FASTENERS MUST BE PROPERLY DESIGNED & INSTALLED TO TRANSFER WIND LOADS TO THE STRUCTURE.
- THESE LARGE MISSILE IMPACT RATED PRODUCT INSTALLATIONS ARE IN ACCORDANCE WITH AND MEET THE REQUIREMENTS OF THE FLORIDA BUILDING CODE (FBC).
- ALL ANCHORS SECURING PRODUCT FRAMES TO PRESSURE TREATED BUCKS OR WOOD FRAMING SHALL BE CAPABLE OF RESISTING CORROSION CAUSED BY THE PRESSURE TREATING CHEMICALS IN THE WOOD.
- MATERIALS, INCLUDING BUT NOT LIMITED TO STEEL SCREWS, THAT COME INTO CONTACT WITH OTHER DISSIMILAR MATERIALS SHALL MEET THE REQUIREMENTS OF FLORIDA BUILDING CODE CHAPTER 20.
- TO THE BEST OF OUR KNOWLEDGE, THE PRODUCT SHOWN HEREIN IS CERTIFIED & QUALITY ASSURED BY A FLORIDA STATE APPROVED CERTIFICATION/QA ENTITY & SHALL BE LABELED IN ACCORDANCE WITH THE FBC AND THE FLORIDA DEPARTMENT OF BUSINESS & PROFESSIONAL REGULATION SPECIFICATIONS. PRODUCT ASSEMBLY IS NOT PART OF THIS DRAWING AND SHALL BE IN ACCORDANCE WITH THE MANUFACTURER'S QUALITY ASSURANCE SPECIFICATIONS & TESTING REPORTS.
- CERTIFICATION OF THESE PRODUCT INSTALLATIONS SHALL BE CONSIDERED VOID IF ANY OF THE FOLLOWING APPLY: 1) PRODUCT IS INSTALLED WITHOUT A BUILDING PERMIT FROM THE APPLICABLE LOCAL BUILDING DEPARTMENT. 2) PRODUCT IS INSTALLED BY ANYONE OTHER THAN A LICENSED CONTRACTOR EXPERIENCED WITH INSTALLATIONS OF THIS TYPE OF PRODUCT. 3) IF CHANGES HAVE OCCURRED TO THE PRODUCT'S CERTIFICATION ENTITY'S CERTIFICATE THAT CAUSE THESE INSTALLATIONS TO BE INCORRECT OR INCONSISTENT WITH WHAT HAS BEEN TESTED.
- THE LEAST DESIGN PRESSURE SPECIFIED EITHER IN THIS DRAWING OR IN THE PRODUCTS CERTIFICATION SHALL CONTROL FOR THE INSTALLED PRODUCT.
- THESE DRAWINGS CERTIFY THE PRODUCT INSTALLATION ONLY. WATER PROOFING OF THE INSTALLED PRODUCT IS NOT PART OF THIS INSTALLATION CERTIFICATION. THAT RESPONSIBILITY SHALL BE THAT OF THE MANUFACTURER &/OR INSTALLER.

INSTALLATION EVALUATION IS BASED ON APPLICABLE ANCHOR STANDARDS AND/OR INFORMATION & RESULTS FROM APPLICABLE TEST REPORTS. THE FLORIDA BUILDING CODE VERSION CONSIDERED WITH THE EVALUATION WAS THAT IN FORCE AT THE TIME OF THE EVALUATION. IN THE EVENT OF CODE VERSION CHANGES/UPDATES OR IN THE EVENT THAT NEW OR ADDITIONAL TESTING IS COMPLETED ON THE REFERENCED PRODUCT, PRIOR TO STATING CODE COMPLIANCE WITH THE STATE, THE MANUFACTURER SHALL CONFIRM WITH THE INSTALLATION EVALUATION ENGINEER OF RECORD THAT THE INSTALLATIONS SPECIFIED HERE-IN ARE CURRENT WITH THE THEN CURRENT TESTING, CODE AND APPLICABLE STANDARDS.

FRAME ANCHOR REQUIREMENTS TABLE

OPENING TYPE (SUBSTRATE)	FRAME/CLIP TO OPENING FASTENER TYPE	MINIMUM EMBED	MINIMUM EDGE DIST.
FRAME/SILL SCREWS			
(3) MIN. 2X6 WOOD FRAME OR BUCK (MIN. GR. 3 & G=0.55)	NO. 10 SMS OR WOOD SCREW	1 1/4"	3/4"
MIN. 18 GA. 33 KSI METAL STUD	NO. 10 GR. 5 SELF TAP/DRILL SCREW	FULL	1/2"
MIN. 1/8" THK A36 STEEL	NO. 10 GR. 5 SELF TAP/DRILL SCREW	FULL	1/2"
MIN. 1/8" THK 6063-T5 ALUM.	NO. 10 GR. 5 SELF TAP/DRILL SCREW	FULL	1/2"
(2) MIN. C-90 CMU	(1) 1/4" CONCRETE SCREW	1 1/4"	2"
MIN. 2500 PSI CONCRETE	(1) 1/4" CONCRETE SCREW	1 1/2"	2"
HINGE SCREWS			
(3) MIN. 2X6 WOOD FRAME OR BUCK (MIN. GR. 3 & G=0.55)	NO. 12 SMS OR WOOD SCREW	1 1/4"	3/4"
MIN. 18 GA. 33 KSI METAL STUD	NO. 12 GR. 5 SELF TAP/DRILL SCREW	FULL	1/2"
MIN. 1/8" THK A36 STEEL	NO. 12 GR. 5 SELF TAP/DRILL SCREW	FULL	1/2"
MIN. 1/8" THK 6063-T5 ALUM.	NO. 12 GR. 5 SELF TAP/DRILL SCREW	FULL	1/2"
MIN. C-90 CMU OR 2500 PSI CONCRETE	(1) 1/4" CONCRETE SCREW	1 1/4"	2"
STRIKE SCREWS			
(3) MIN. 2X6 WOOD FRAME OR BUCK (MIN. GR. 3 & G=0.55)	NO. 8 SMS OR WOOD SCREW	1 1/4"	3/4"
MIN. 18 GA. 33 KSI METAL STUD	NO. 8 GR. 5 SELF TAP/DRILL SCREW	FULL	1/2"
MIN. 1/8" THK A36 STEEL	NO. 8 GR. 5 SELF TAP/DRILL SCREW	FULL	1/2"
MIN. 1/8" THK 6063-T5 ALUM.	NO. 8 GR. 5 SELF TAP/DRILL SCREW	FULL	1/2"
(2) MIN. C-90 CMU	(1) 3/16" CONCRETE SCREW	1 1/4"	2"
MIN. 2500 PSI CONCRETE	(1) 3/16" CONCRETE SCREW	1 1/2"	2"
INSTALLATION CLIP SCREWS			
MIN. 2X6 WOOD FRAME OR BUCK (MIN. GR. 3 & G=0.55)	NO. 8 SMS SCREW	1 3/8"	3/4"
MIN. 18 GA. 33 KSI METAL STUD	NO. 8 GR. 5 SELF TAP/DRILL SCREW	FULL	1/2"
MIN. 1/8" THK A36 STEEL	NO. 8 GR. 5 SELF TAP/DRILL SCREW	FULL	1/2"
MIN. 1/8" THK 6063-T5 ALUM.	NO. 8 GR. 5 SELF TAP/DRILL SCREW	FULL	1/2"

- CONCRETE SCREWS SHALL BE ELCO ULTRACONS, ELCO CRETE-FLEX, ITW RAMSET/RED HEAD TAPCONS OR HILTI KWIK-CON II (HARDENED STEEL OR S.S.).
- CMU IS APPLICABLE AT SIDES ONLY.
- 2X6 BUCKS MAY BE RIPPED DOWN TO MIN. 4 1/4" DEPTH EXCEPT WHEN THE INSTALLATION CLIP CONDITION APPLIES.

HINGE REQUIREMENTS

MAX. FRAME HEIGHT	QUANTITY PER PANEL
119.5"	6
107.875"	5
99.375"	4
83.875"	3

CONDITIONS SHOWN ON THIS DRAWING ARE GOVERNED BY INSTALLATION REQUIREMENTS ONLY. THE GOVERNING CONDITIONS ON ANY SPECIFIC DOOR SHALL BE THE LESSER OF THOSE SPECIFIED IN THE DOORS STATE APPROVAL OR THAT SHOWN IN THESE DRAWINGS.

INSTALLATION NOTE:

WHEN NECESSARY, INSTALLATION METHODS MAY BE MIXED WITH ANY ONE DOOR SUCH THAT INDIVIDUAL SIDES OF THE DOOR MAY USE ONE OR THE OTHER ANCHOR METHOD (EXAMPLE: LEFT SIDE MAY USE CLIP METHOD WHILE OTHER SIDES USE FRAME SCREWS)

ANCHOR/SUBSTRATE EVALUATION NOTE:

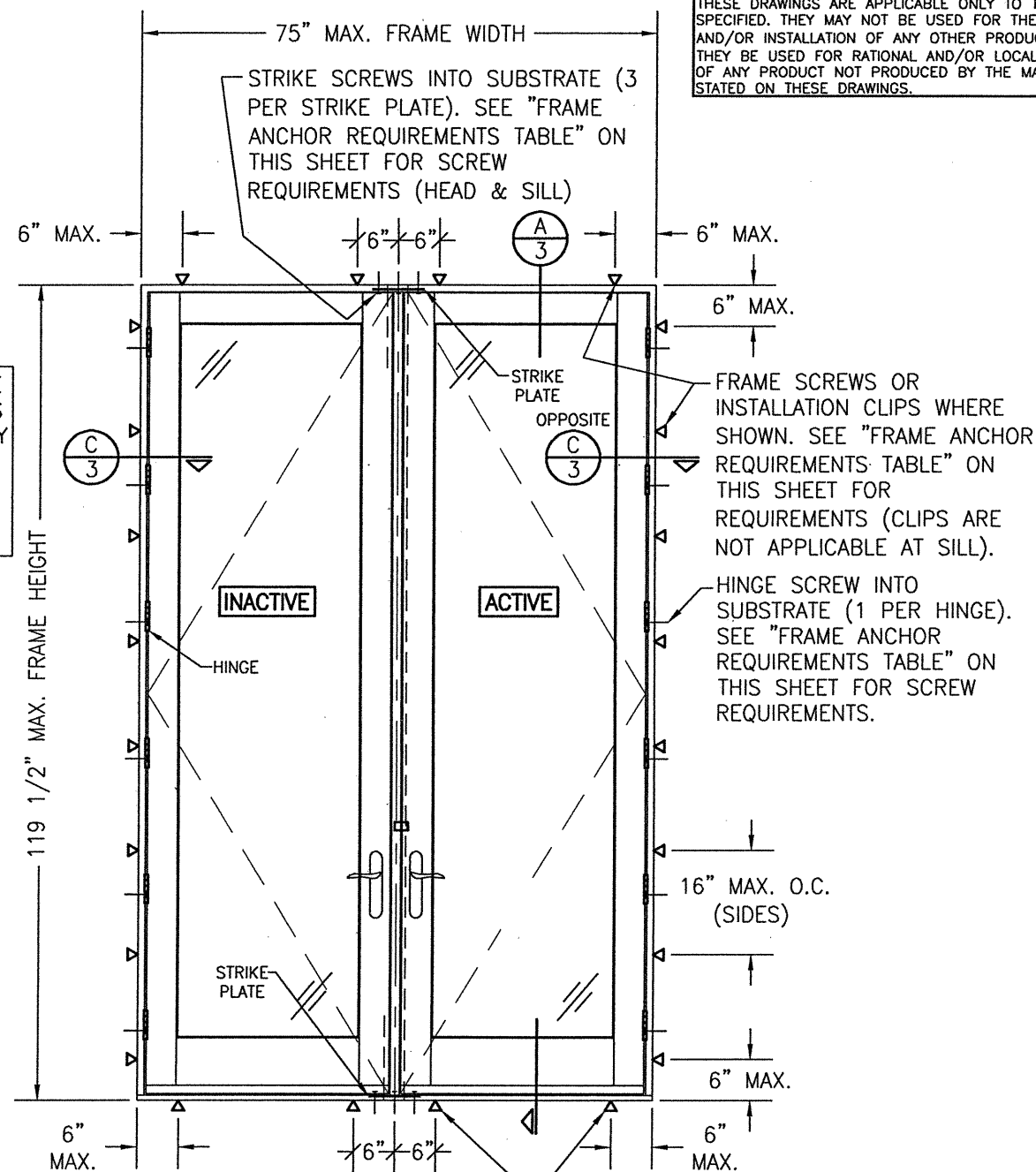
ALL ANCHORS IN THEIR SPECIFIED SUBSTRATES HAVE BEEN ANALYZED IN ACCORDANCE WITH THEIR APPLICABLE STANDARD(S) AND ARE FOUND TO BE CAPABLE OF SUPPORTING ALL LOADS IMPOSED ON THEM UNDER THE GUIDELINES OF THIS DOCUMENT. ANY SUBSTRATES OR CONDITIONS OUTSIDE OF WHAT IS SHOWN HERE-IN SHALL BE SUBJECT TO JOB SPECIFIC ENGINEER'S REVIEW & CERTIFICATION.

EDGE DISTANCE MAY BE DECREASED TO 1/2" IF SCREWS ARE ANGLED 15 TO 20 DEGREES AWAY FROM THE EDGE.

THESE DRAWINGS ARE APPLICABLE ONLY TO THE PRODUCT SPECIFIED. THEY MAY NOT BE USED FOR THE ASSEMBLY AND/OR INSTALLATION OF ANY OTHER PRODUCT NOR MAY THEY BE USED FOR RATIONAL AND/OR LOCAL APPROVAL OF ANY PRODUCT NOT PRODUCED BY THE MANUFACTURER STATED ON THESE DRAWINGS.

DRAWN BY: W.R.M.	CHECKED BY: W.W.S.
DATE: 12/21/11	DATE: 01/03/11

NO.	REVISION DESCRIPTION	BY	DATE
A1	UPDATE TO CURRENT STANDARDS	W.R.M.	12/21/11
B1	UPDATE DESIGN PRESSURES	W.W.S.	04/21/14
C1	UPDATE TO CURRENT STANDARDS	W.W.S.	05/17/19
D1	UPDATE TO NEW TESTING	W.W.S.	06/02/21



**EXTERIOR ELEVATION:
DOUBLE RECTANGULAR DOOR**

SCALE: 1/2" = 1'-0"
(SCREW OR CLIP MOUNT CONDITION)

SILL SCREWS WHERE SHOWN. SEE "FRAME ANCHOR REQUIREMENTS TABLE" ON THIS SHEET FOR REQUIREMENTS.

**ALLOWABLE DESIGN PRESSURE
(DOUBLE SWING DOORS)**

MAX. FRAME HEIGHT (IN.)	ALLOWABLE PRESSURE	
	POSITIVE (PSF)	NEGATIVE (PSF)
119 1/2	50	50
95 1/2	70	70

PELLA CORPORATION
102 MAIN STREET
PELLA, IA 50219
641-621-1000

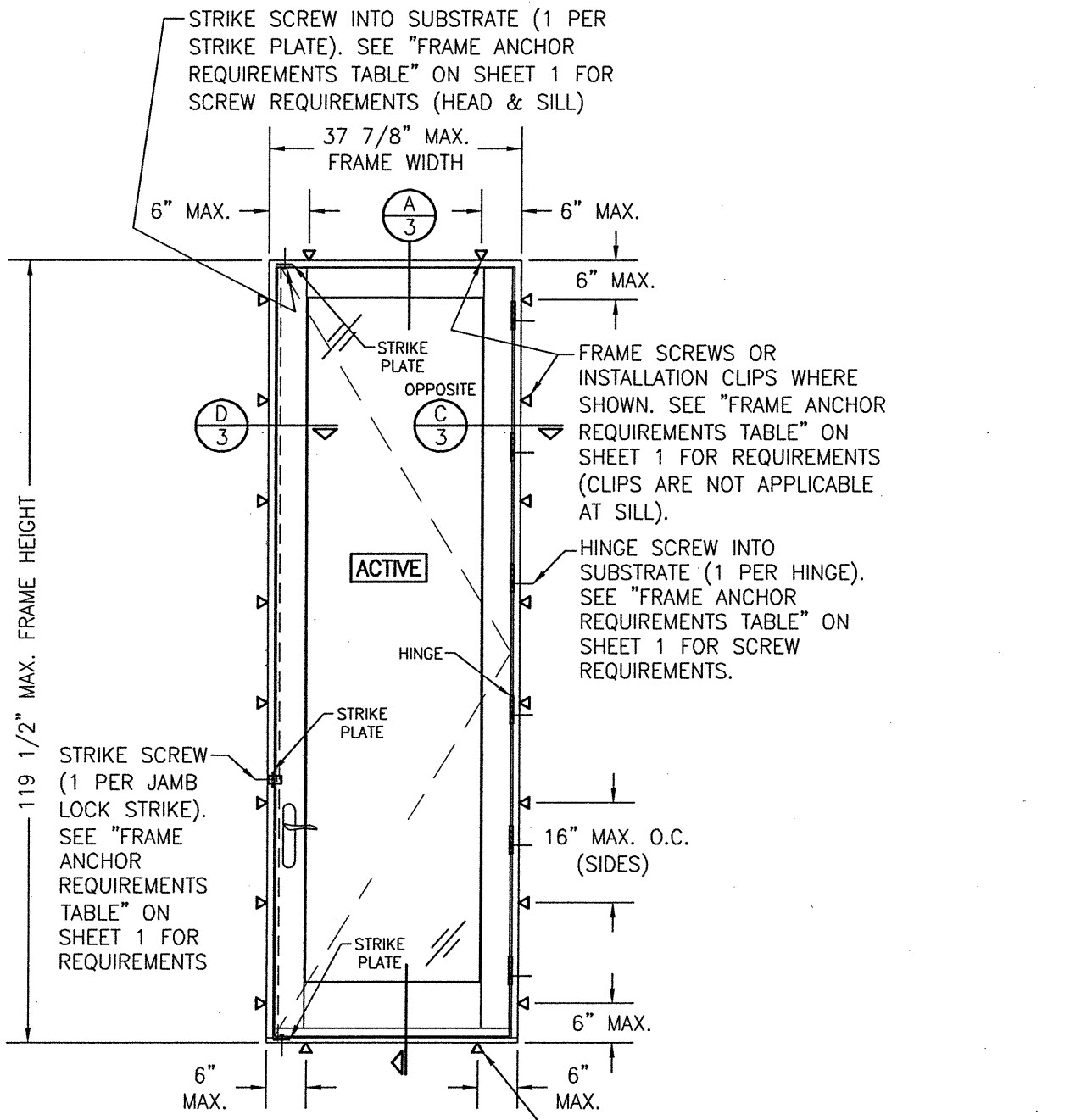


MANUFACTURER
W. W. SCHAEFER ENGINEERING & CONSULTING, P.A. (CA 6809)
7480 150TH COURT NORTH
PALM BEACH GARDENS, FL 33418
PHONE: 561-744-3424

DRAWING TITLE: PELLA ARCHITECT OUT-SWING IMPACT WOOD DOOR INSTALLATION REQUIREMENTS

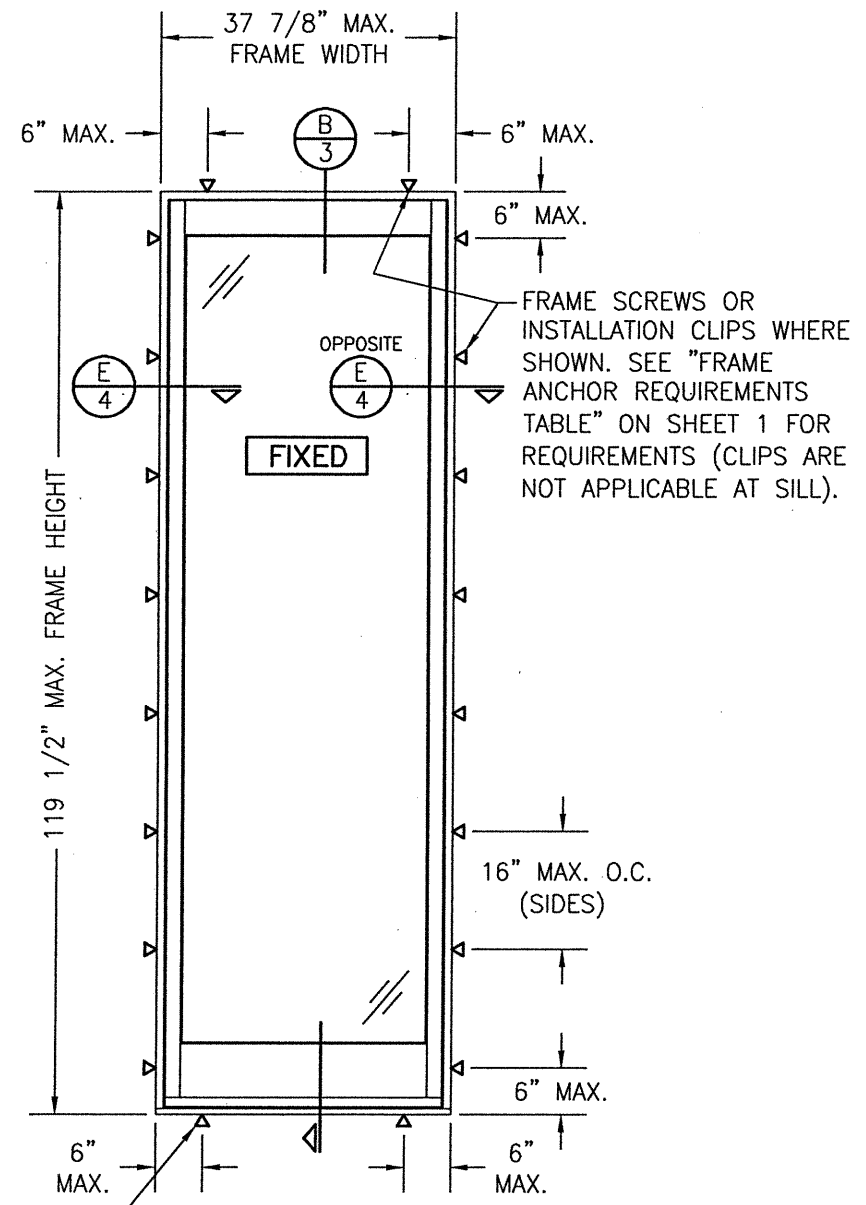
CERTIFICATION
JUN 4 2021
WARREN W. SCHAEFER P.E.
P.E. NO. 44135

DRAWING NO. 1732
SHEET NO. 1 OF 4



**EXTERIOR ELEVATION:
SINGLE RECTANGULAR DOOR**
SCALE: 1/2" = 1'-0"
(SCREW OR CLIP MOUNT CONDITION)

ALLOWABLE DESIGN PRESSURE (SINGLE SWING DOORS)		
MAX. FRAME HEIGHT (IN.)	ALLOWABLE PRESSURE	
	POSITIVE (PSF)	NEGATIVE (PSF)
119 1/2	50	50
95 1/2	70	70

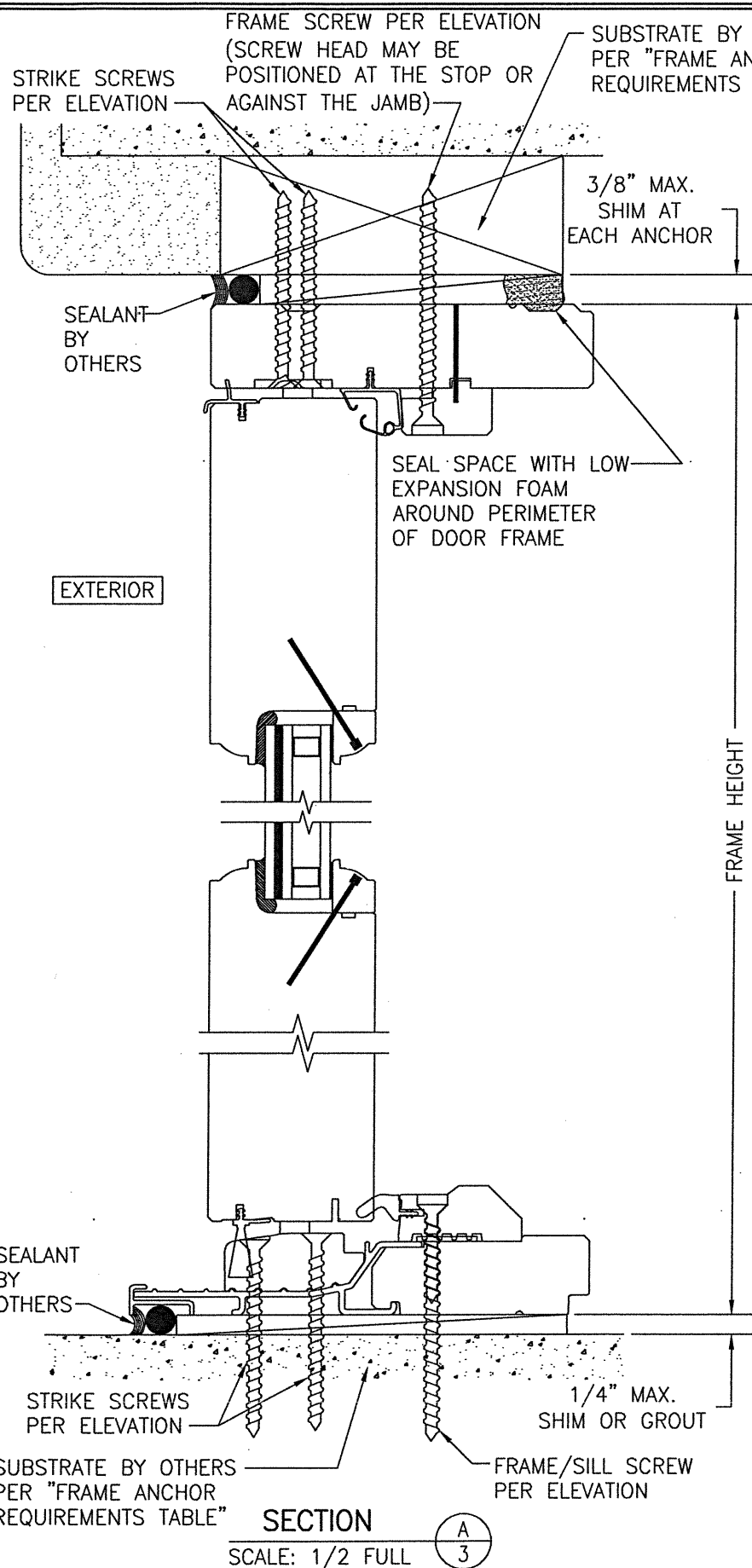


**EXTERIOR ELEVATION:
SINGLE FIXED PANEL**
SCALE: 1/2" = 1'-0"
(SCREW OR CLIP MOUNT CONDITION)

ALLOWABLE DESIGN PRESSURE (FIXED PANEL DOORS)		
MAX. FRAME HEIGHT (IN.)	ALLOWABLE PRESSURE	
	POSITIVE (PSF)	NEGATIVE (PSF)
119 1/2	50	50
95 1/2	70	70

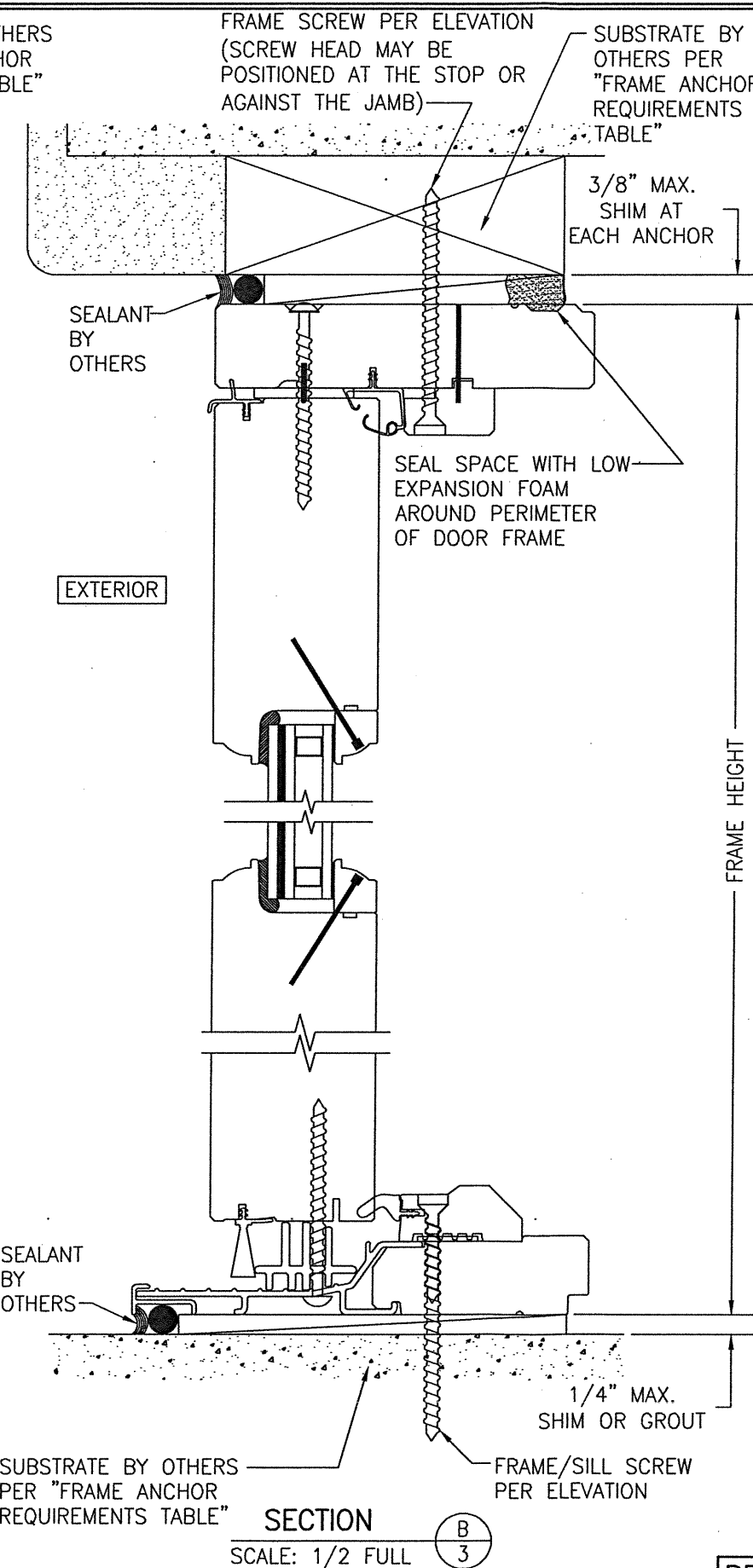
SILL SCREWS WHERE SHOWN. SEE "FRAME ANCHOR REQUIREMENTS TABLE" ON SHEET 1 FOR REQUIREMENTS.

<small>DRAWN BY:</small> W.R.M.	<small>CHECKED BY:</small> W.W.S.
<small>PLOT:</small> 1=24	<small>DATE:</small> 01/03/11
<small>DATE</small>	
<small>BY</small>	
<small>REVISION DESCRIPTION</small>	
<small>NO.</small>	
PELLA ARCHITECT OUT-SWING IMPACT WOOD DOOR INSTALLATION REQUIREMENTS	
<small>MANUFACTURER</small> PELLA CORPORATION 102 MAIN STREET PELLA, IA 50219 641-621-1000	
<small>CONSULTANTS</small> W. W. SCHAEFER ENGINEERING & CONSULTING, P.A. (CA 6809) 7480 150TH COURT NORTH PALM BEACH GARDENS, FL 33418 PHONE: 561-744-3424	
<small>CERTIFICATION</small> WARREN W. SCHAEFER LICENSE NO. 44135 STATE OF FLORIDA PROFESSIONAL ENGINEER JUN 04 2021 WARREN W. SCHAEFER, P.E. P.E. NO. 44135	
<small>DRAWING NO.</small> 1732	<small>REV.</small> D
<small>SHEET NO.</small> 2 OF 4	



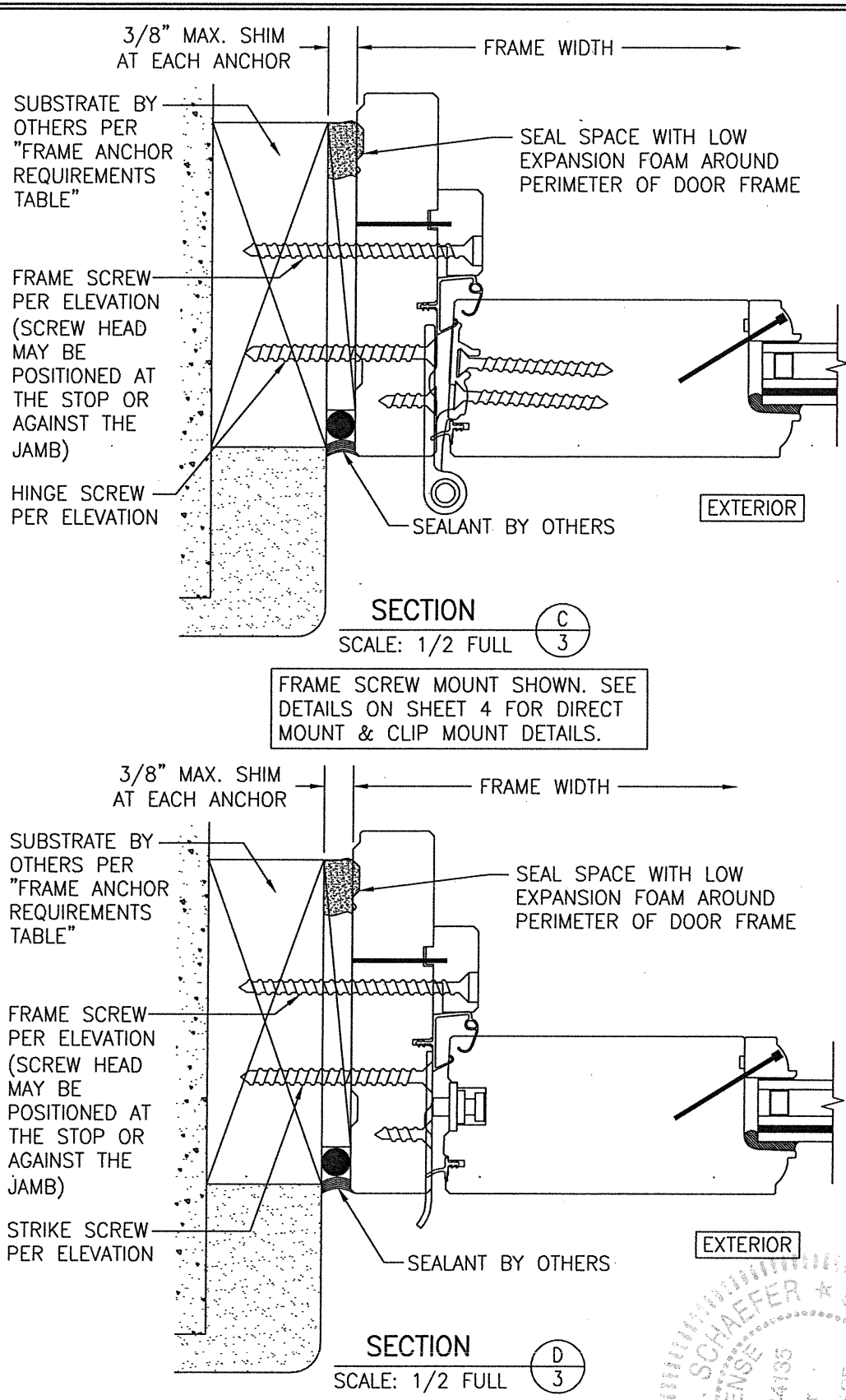
SECTION A
SCALE: 1/2 FULL

FRAME SCREW MOUNT SHOWN. SEE DETAILS ON SHEET 4 FOR DIRECT MOUNT & CLIP MOUNT DETAILS.



SECTION B
SCALE: 1/2 FULL

FRAME SCREW MOUNT SHOWN. SEE DETAILS ON SHEET 4 FOR DIRECT MOUNT & CLIP MOUNT DETAILS.



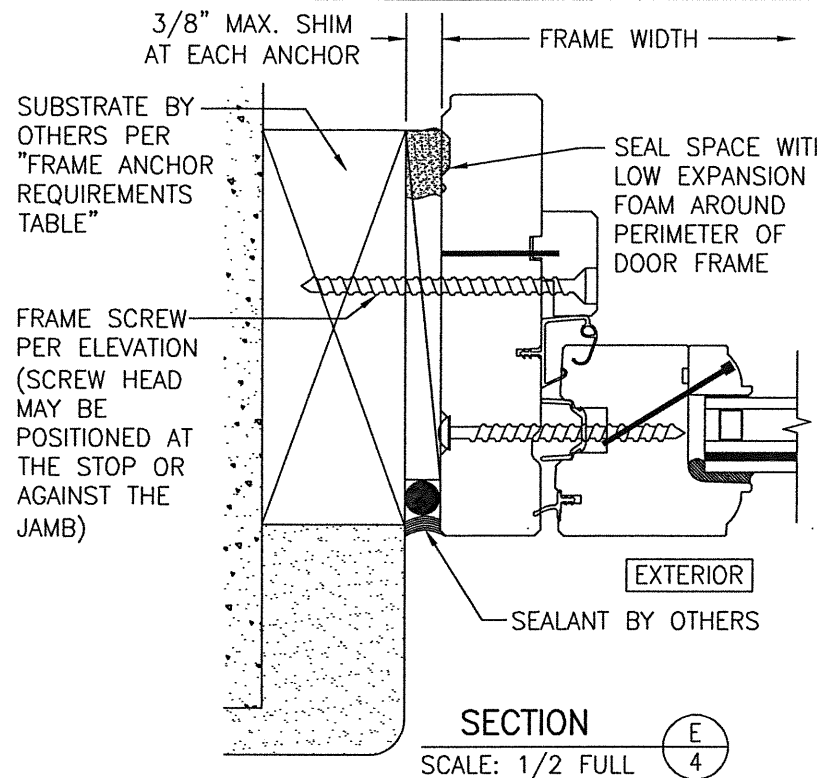
SECTION C
SCALE: 1/2 FULL

FRAME SCREW MOUNT SHOWN. SEE DETAILS ON SHEET 4 FOR DIRECT MOUNT & CLIP MOUNT DETAILS.

SECTION D
SCALE: 1/2 FULL

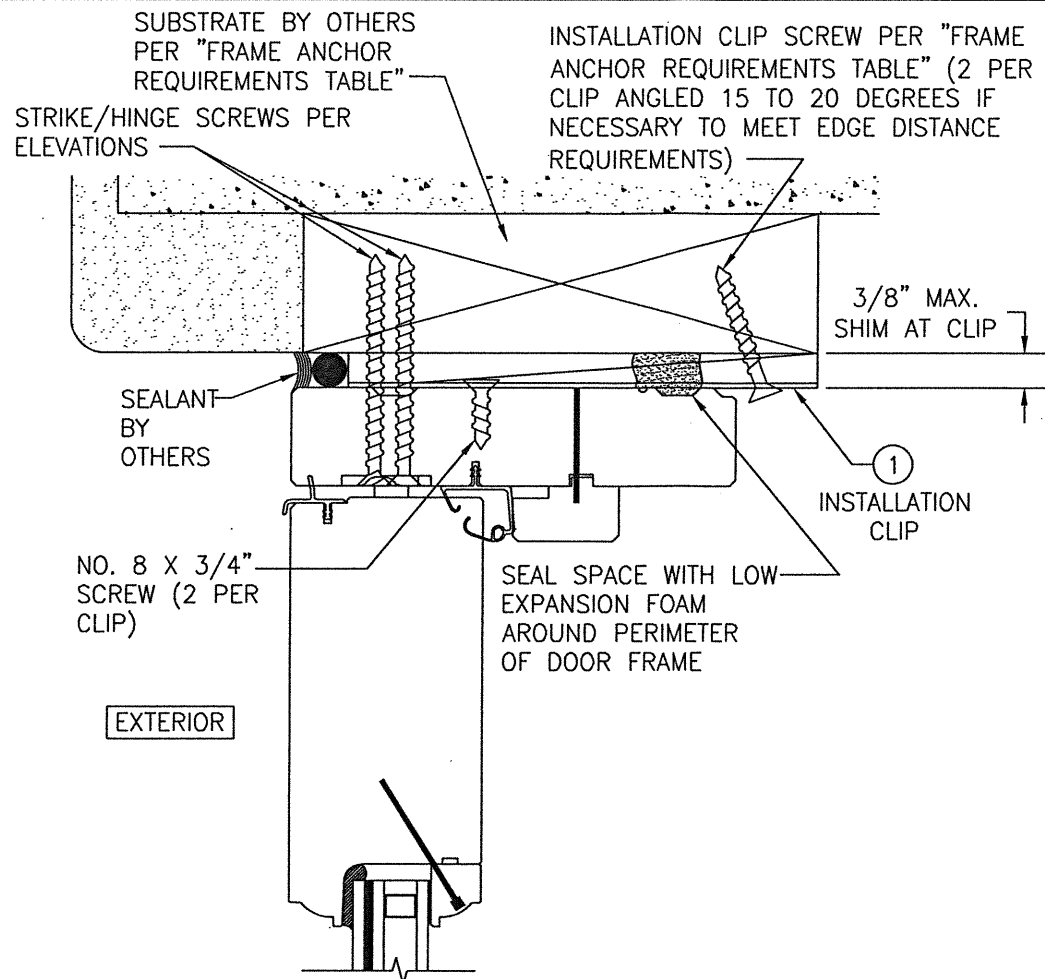
BRICK MOLD & JAMB EXTENSIONS ARE NOT SHOWN BUT MAY BE USED IN ADDITION TO ANCHORS SHOWN.

DRAWN BY: W.R.M.	CHECKED BY: W.W.S.
PLOT: 1=2	DATE: 01/03/11
NO.	REVISION DESCRIPTION
DATE	BY
DRAWING TITLE: PELLA ARCHITECT OUT-SWING IMPACT WOOD DOOR INSTALLATION REQUIREMENTS MANUFACTURER: PELLA CORPORATION CONSULTANTS: W. W. SCHAEFER ENGINEERING & CONSULTING, P.A. (CA 6809) 7480 150TH COURT NORTH PALM BEACH GARDENS, FL 33418 PHONE: 561-744-3424	
102 MAIN STREET PELLA, IA 50219 641-621-1000	
CERTIFICATION JUN 04 2021 WARREN W. SCHAEFER P.E. NO. 44135	
DRAWING NO. 1732	REV. D
SHEET NO. 3	OF 4



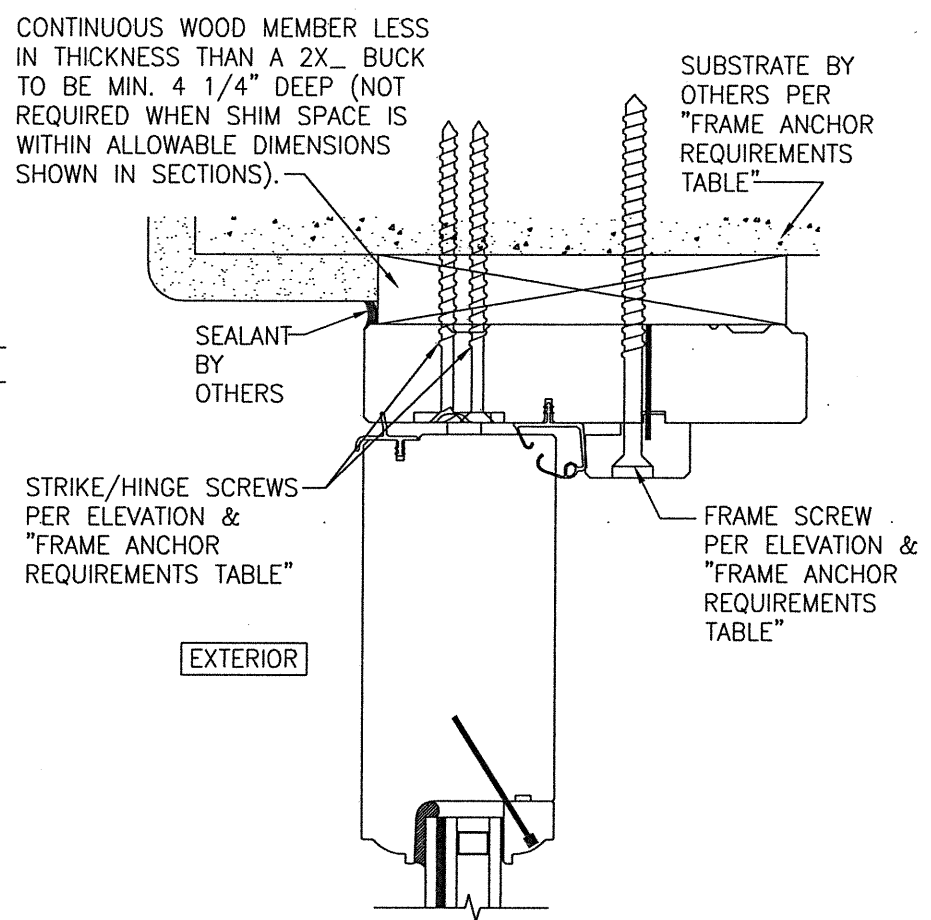
SECTION E-4
SCALE: 1/2 FULL

FRAME SCREW MOUNT SHOWN. SEE DETAILS ON THIS SHEET FOR DIRECT MOUNT & CLIP MOUNT DETAILS.



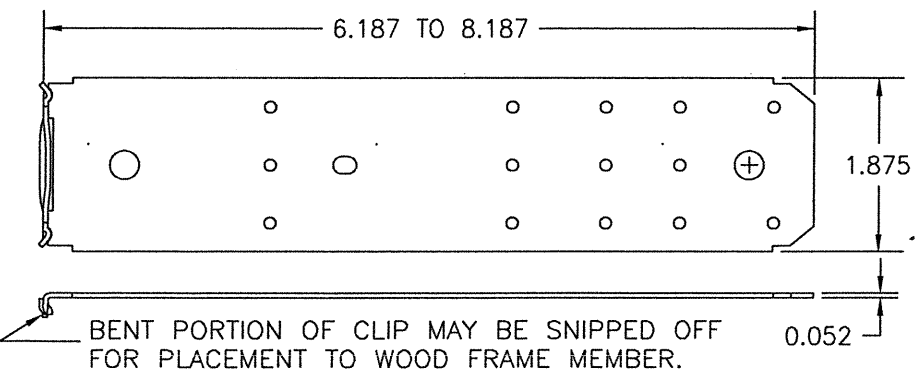
INSTALLATION CLIP DETAIL

- CLIP INSTALL NOTES:**
- 1) HEAD SECTION SHOWN. CLIP IS INSTALLED THE SAME AT THE SIDES.
 - 2) INSTALLATION CLIP IS NOT APPLICABLE AT THE SILL.
 - 3) FOR DETAIL NOT SHOWN, SEE OTHER SECTIONS.



OPTIONAL DIRECT MOUNT DETAIL TO SUBSTRATE WITH SPACER

(HEAD SECTION SHOWN; SILL & SIDES ARE INSTALLED THE SAME)
(FOR DETAIL NOT SHOWN, SEE OTHER SECTIONS)



1 **FRAME INSTALLATION CLIP**
(50 KSI STEEL)

BRICK MOLD & JAMB EXTENSIONS ARE NOT SHOWN BUT MAY BE USED IN ADDITION TO ANCHORS SHOWN.

DRAWN BY: W.R.M.	CHECKED BY: W.W.S.
PLOT: 1=2	DATE: 01/03/11
NO.	REVISION DESCRIPTION
DATE	BY
DRAWING TITLE: PELLA ARCHITECT OUT-SWING IMPACT WOOD DOOR INSTALLATION REQUIREMENTS MANUFACTURER: PELLA CORPORATION CONSULTANTS: W. W. SCHAEFER ENGINEERING & CONSULTING, P.A. (CA 6809) 7480 150TH COURT NORTH, PALM BEACH GARDENS, FL 33418 PHONE: 561-744-3424 PELLA CORPORATION 102 MAIN STREET PELLA, IA 50219 641-621-1000	
CERTIFICATION WARREN W. SCHAEFER LICENSE NO. 44135 STATE OF FLORIDA JUN 04 2021 WARREN W. SCHAEFER, P.E. P.E. NO. 44135	
DRAWING NO. 1732	REV. D
SHEET NO. 4 OF 4	